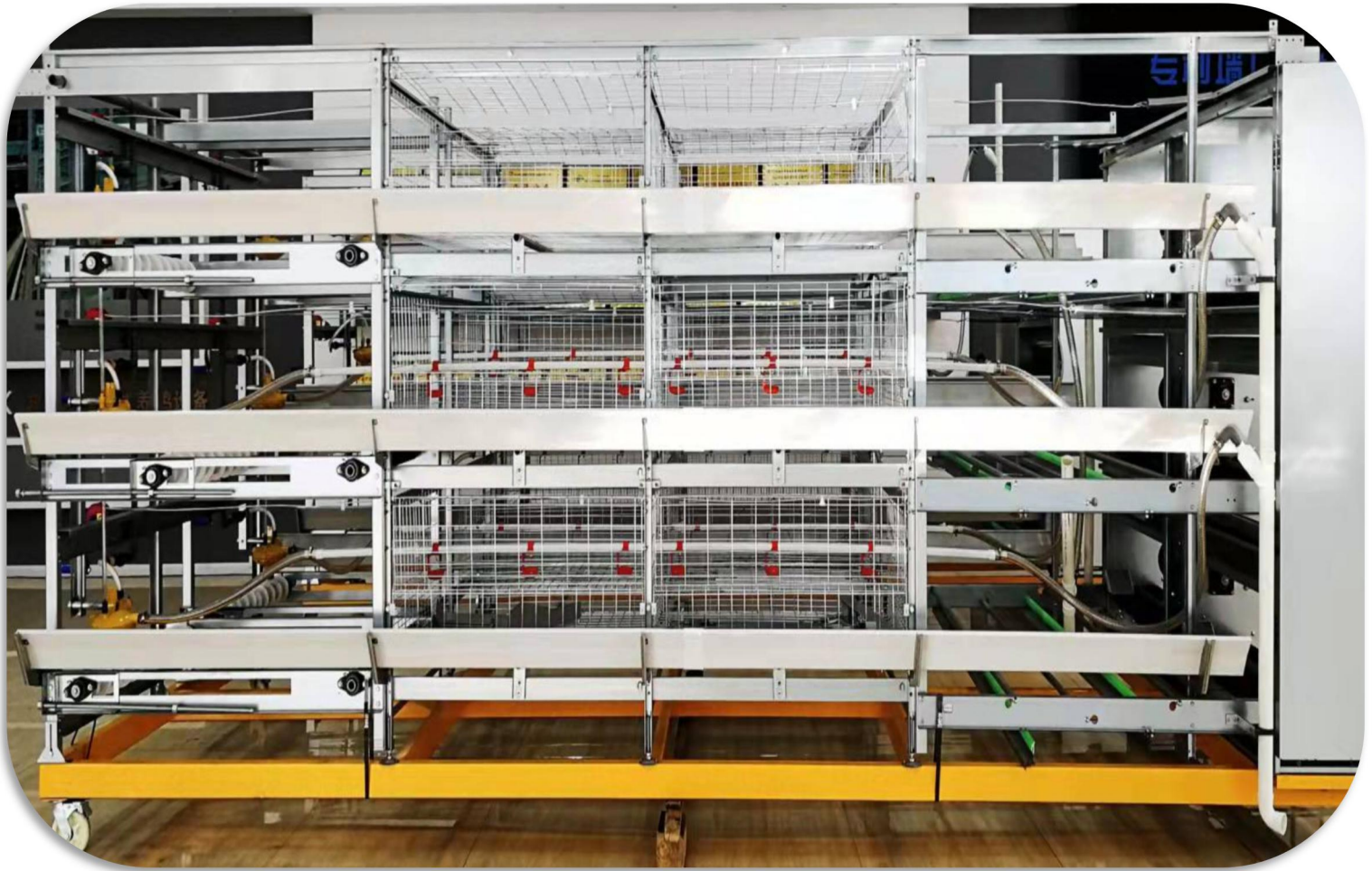




POUILTECH
POULTRY FARM SOLUTIONS



TechPro Broiler Cage System

-More Tech, More Output-



Poul Tech Machinery is a professional factory of poultry equipment manufacturer in China. TechPro broiler cage system is widely used in large-scale broiler farm projects. The professional broiler cage occupies a small area, keeps more broilers, and has a high running efficiency. Therefore, the cage system is more favored by customers.

A

CAGE STRUCTURE SYSTEM



275gsm steel sheets with good corrosion resistance which keeps a long service life

The cage mesh made by hot galvanized or galfan (zinc-aluminium alloy) wire



Spring door can be opened simply and also can move out of the ready-for-slaughter broilers easily.

More Tech, More Output

Type	Length/Section	Dimension/Cell	Cell/Unit	Birds/Cell	Floor Space/Bird
TechPro-1050(A)	1050 cm	1050*1000*635mm	1	20	525.00 sq.cm
TechPro-1050(B)	1050 cm	1050*1900*650mm	2	18	466.67 sq.cm



TechPro 1050 A



TechPro 1050 A



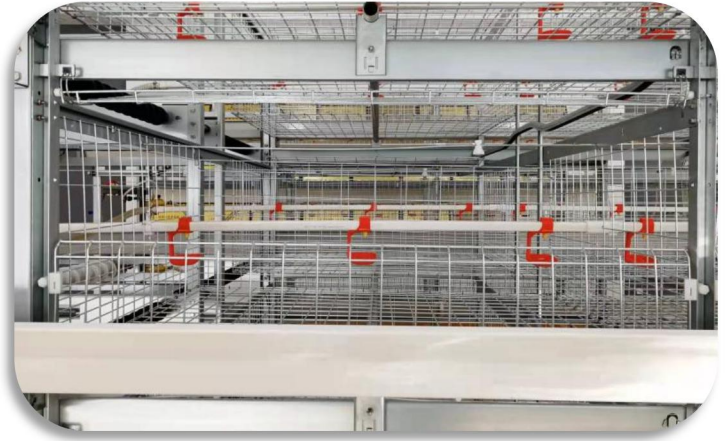
TechPro 1050 B



TechPro 1050 B

B**AUTOMATIC DRINKING SYSTEM**

TechPro broiler drinking system is consisting of Dosatron dosing pumps from France, water filters, water pressure regulator, PVC material square shape pipe, nipple drinkers. The drinking water system is professionally designed, the height of nipple drinkers can be adjusted by lifting system, according to the growth of chicken body, and to ensure the broilers can drink water easily in different ages..



There are 3 nipple drinkers for each cage sections on the PVC pipes .
 Water regulator is located on each tier of the cage.
 It supplies the water from the water line to the pipes through reservoirs with the proper pressure. The filters and the medicator (DOSATRON of France) are used to clean the water and keep health of all chickens.

**C****AUTOMATIC FEEDING SYSTEM**

TechPro broiler automatic feeding system compose with feed trough, feed carts, auger pipes and feed silo. .
 In this system, feed is distributed automatically to the feed carts, it's transport from the feed silo by the augers pipe.
 The Auger is made by Technical-System from South Africa with the best quality



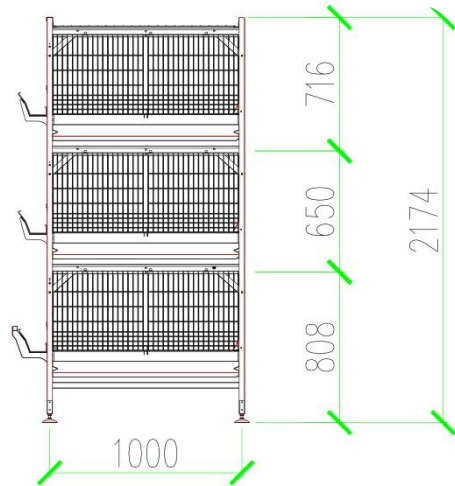
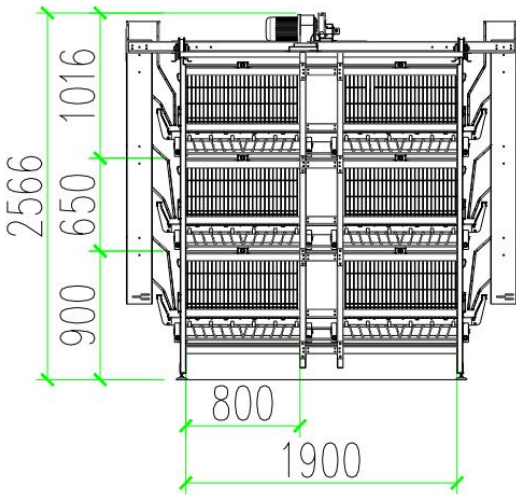
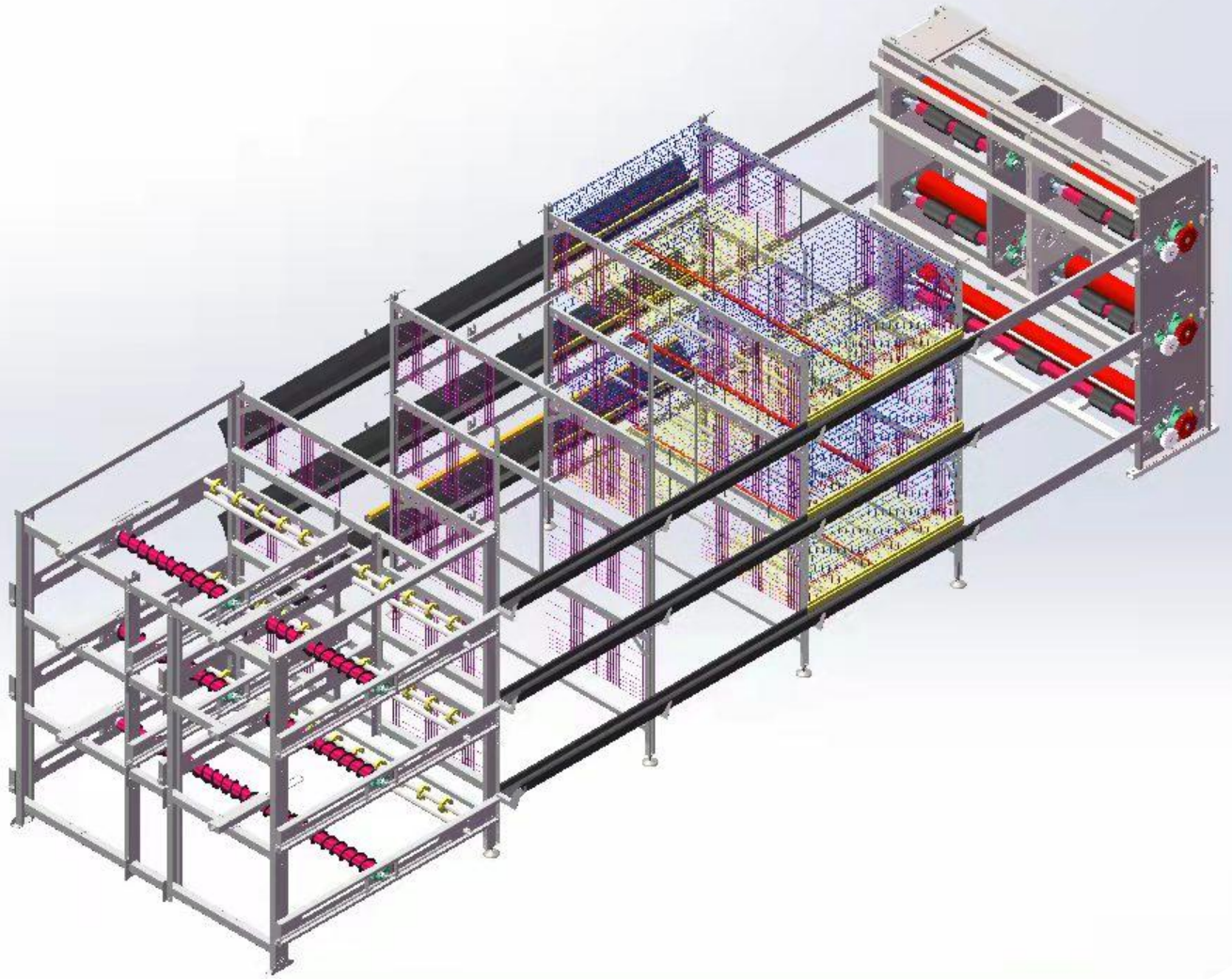
D**AUTOMATIC MANURE REMOVE SYSTEM**

Chicken manure fell on the manure belt under the cage in each tier then transports to the horizontal manure conveyor. The manure belt is in cycle running in each tier, it's designed with top tight and bottom loose condition. This design avoid the deviation of the manure belt in working.

E**COOLING SYSTEM**

The broiler house is strict to the temperature, so we choose thermostatic climate control system to keep the house has suitable temperature according to different ages of . Chicken.

TechPro climate control system not only can supply thermostatic temperature for chicken house, but also ventilate the harmful gases from chicken house.



HENAN POUL TECH MACHINERY CO., LTD.

ADD: Building 10-1, Yuhua Power-Valley Industry Park, Chuangxin Avenue,
Zhengzhou Hi-Tech Zone, 450001, Henan Province, China.

HOTLINE: +87 0371-56797621

EMAIL: poultech@aliyun.com
poultrytech@yahoo.com

MOBILE: (WhatsApp & Wechat): +86 137 3384 5866

WEBSITE (English): www.cnpoultech.com

